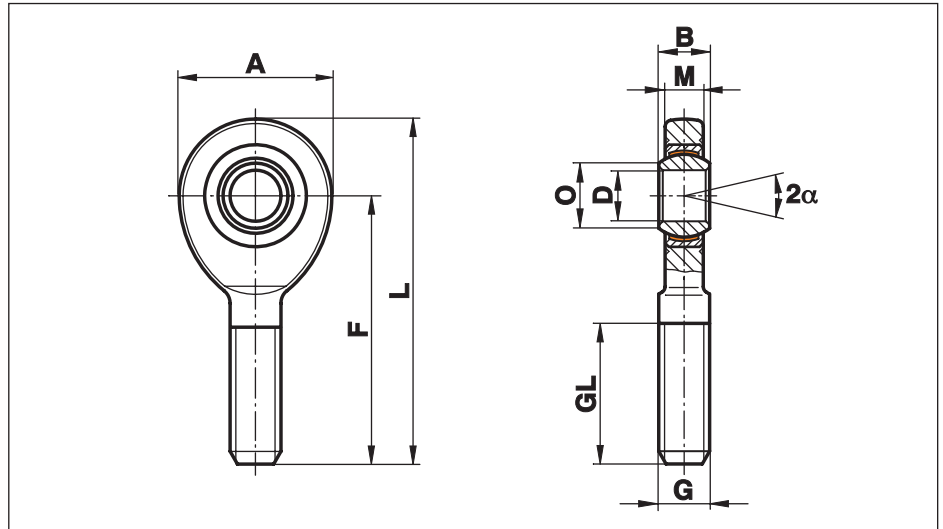


Rod Ends Series E - Stainless, Maintenance Free

Series EA..D-NIRO

Rod Ends with male thread, maintenance free, made from stainless steel with maintenance free Spherical Plain Bearings GE..EC-NIRO

For use at high unidirectional loads, in corrosive environments and limited fitting dimensions



Size (D)	B	M	A	F	L	O	G	GL	Static load C ₀ kN	Dynamic load C kN	Pivoting angle α	Weight g
6	6	4,4	20	36	46,0	8,0	M 6	18	4,0	4	13	16
8	8	6,0	24	42	54,0	10,2	M 8	22	7,4	7	15	28
10	9	7,0	28	48	62,0	13,2	M 10	26	11,6	10	12	50
12	10	8,0	34	54	71,0	14,9	M 12	28	17,0	14	11	86
15	12	10,0	40	63	83,0	18,4	M 14	34	23,0	30	8	140
16	14	11,0	46	69	92,0	20,7	M 16	36	31,5	39	10	190
17	14	11,0	46	69	92,0	20,7	M 16	36	31,5	39	10	190
20	16	13,0	53	78	104,5	24,2	M 20x1,5	43	45,0	54	9	320
25	20	17,0	64	94	126,0	29,3	M 24x2	53	73,0	96	7	570
30	22	19,0	73	110	146,5	34,2	M 30x2	65	97,0	118	6	890
35	25	21,0	82	140	181,0	39,8	M 36x3	82	111,0	153	6	1400
40	28	23,0	92	150	196,0	45,0	M 39x3	86	135,0	190	7	1800
45 ¹⁾	32	27,0	102	163	214,0	50,8	M 42x3	94	178,0	247	7	2610
50	35	30,0	112	185	241,0	56,0	M 45x3	107	216,0	308	6	3450
60 ¹⁾	44	38,0	135	210	277,5	66,8	M 52x3	115	336,0	481	6	5900
70 ¹⁾	49	42,0	160	235	315,0	77,9	M 56x4	125	429,0	619	6	8200
80 ¹⁾	55	47,0	180	270	360,0	89,4	M 64x4	140	570,0	792	6	12000

Materials:

Housing: from size 6 to 40 stainless steel to 1.4301, Aisi 304, forged, polished
from size 45 stainless steel to 1.4301, Aisi 304, turned
from size 50 stainless steel to 1.4571, Aisi 316Ti, turned

Bearing: Maintenance free stainless steel Spherical Plain Bearing GE...EC-NIRO (see page 49)

On request from size 40 available with 2RS seals

¹⁾ availability and price on request